

# A Review on Back-to-Back Converters in Permanent Magnet Synchronous Generator based Wind Energy Conversion System

Karthikrajan Senthilnathan\*, K Iyswarya Annapoorani

VIT University, Chennai, India

\*Corresponding author, e-mail: karthikrajan.s2014phd1147@vit.ac.in

## Abstract

*This paper presents a review on the application of back-to-back converters in the field of permanent magnet synchronous generator (PMSG)-based wind energy conversion systems (WECS). The wide applications of the back-to-back converters are power conditioning devices, micro grid, high voltage direct current (HVDC), and renewable energy systems. The intention is to present an overview about the design considerations taken by various researchers in back-to-back converters in the field of WECS and recent developments on it. Generally the configuration of back-to-back converters used are 12 pulse voltage source converters (VSC), 12 pulse current source converter (CSC), and nine (9) pulse voltage source converter.*

**Keywords:** back-to-back converter, voltage source converters (VSC), current source converters (CSC), permanent magnet synchronous generator (PMSG), wind energy conversion systems (WECS)

**Copyright © 2016 Institute of Advanced Engineering and Science. All rights reserved.**

## 1. Introduction

The applications of power electronics devices in the field of power systems are making a great impact for power conditioning [1-4], HVDC, Renewable energy systems [5], [6-9], and Micro Grid integrations to the power grid. The impact of back-to-back converters in the field of power systems made the system more reliable and made a way to synchronize the renewable energy sources to the grid. The design of back-to-back converters is broadly classified as voltage source converters and current source converters[10-11]. The voltage source converters (VSC) have the common dc link with capacitor and similarly the current source converters (CSC), [12-13] has dc link with the inductor. The both VSC and CSC have its own advantages and disadvantages. Depends on the requirement of the system, the converter source type and design configuration is chosen by various researchers in this field.

The most common design, configuration employed is 12 pulse VSC and CSC based back-to-back converters, 12 pulse VSC based back-to-back converters supported by DC to DC converter with ultra-capacitor connected across the DC link, 9 pulse VSC based back-to-back converter. The design constraint, while implementing the back-to-back converters is to maintain the constant DC link voltage. The base model for the development of the back-to-back converter is a 3 phase diode rectifier connected to the 6 pulse VSC inverter. Based on this model the researchers done an extensive research and modeled the efficient back-to-back converter designs.

## 2. Classification of Back-to-Back Converter

The back-to-back converter is classified, based on the converter type and design aspects used by various researchers in the field of power systems. The Figure 1 shows the classification of the back-to-back converter.

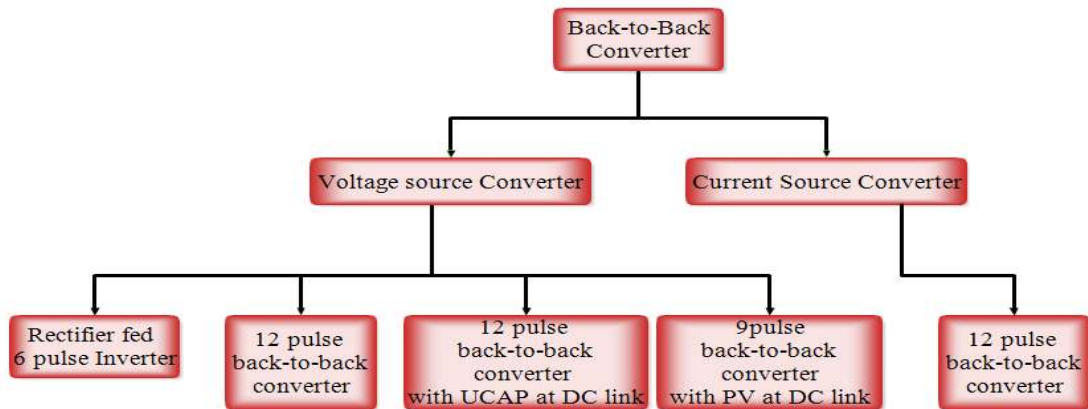


Figure 1. Classification of back-to-back converters in power systems field

## 2.1. Voltage Source Converter

### 2.1.1. Diode Rectifier with 6 Pulse Voltage Source Inverter

The basic model of back-to-back converter consists of 3 phase diode rectifier and inverter. This type of converters widely used in the PMSG based wind energy conversion systems and HVDC, [17-20], [21-25]. The controlling part is inverter alone and dc link capacitor is bulky and has a short life span. In this model the output voltage has more ripples. This model cannot be used as the back-to-back inverter applications, like power conditioning devices and micro grid synchronization with power grid. The Figure 2 shows the configuration of diode rectifier with 6 pulse voltage source inverter.

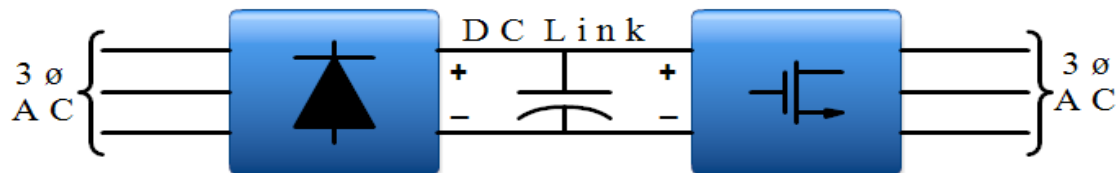


Figure 2. Diode Rectifier with 6 Pulse Voltage Source Inverter

### 2.1.2. Back-to-Back 12 Pulse Voltage Source Converter

The 12 Pulse back-to-back voltage source converters have two converter modules connected to the common DC link capacitor. These types of converters are widely used in, wind energy conversion systems, power conditioning devices like [25-26] unified power quality conditioner micro grid integration into the power grid. The advantage of this design is, it has capable of making power flow in both directions. This advantage makes the model more suited for power conditioning devices. The capacitor is bulky and it doesn't provide natural protection for short circuit. Also it doesn't provide constant DC link voltage. Figure 3. shows the configuration of 12 pulse back-to-back voltage source converter.

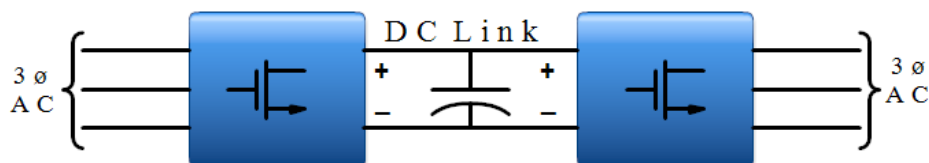


Figure 3. Back-to-Back 12 Pulse Voltage Source Converter

### 2.1.3. Back-to-Back 12 Pulse Voltage Source Converter with DC-DC converter and Battery/UCAP

Maintaining of constant DC link voltage in the back-to-back converters is essential, in order to provide the constant supply to the inverter side [41-43]. Here the constant DC link voltage is achieved by DC-DC converter with Battery (or) Ultra Capacitor (UCAP), which is connected across the DC link capacitor. Some researchers use renewable energy sources, instead of Ultra Capacitor to maintain the constant DC link voltage. Figure 4 shows the configuration of 12 pulse back-to-back voltage source converter with DC-DC converter and Battery/UCAP.

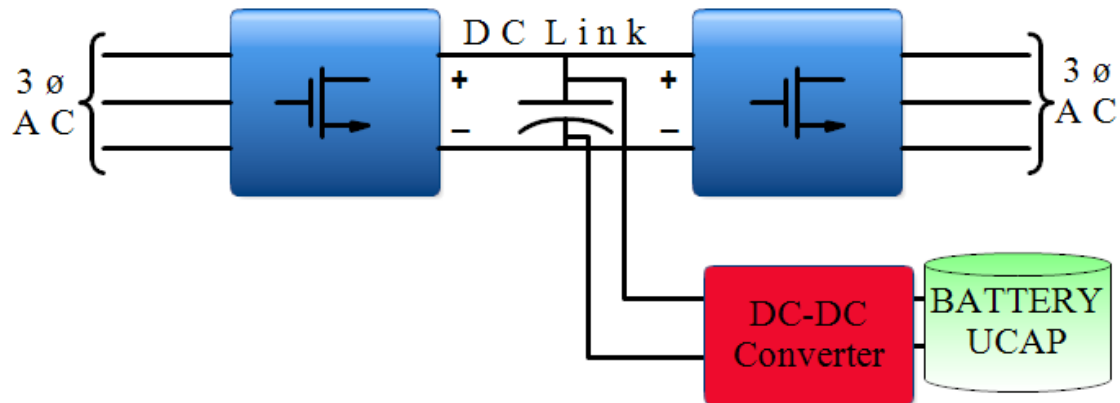


Figure 4. Back-to-Back 12 Pulse Voltage Source Converter with DC-DC converter and BATTERY/UCAP

### 2.1.4. Back-to-Back 9 Pulse Voltage Source Converter

Harmonics plays a major role in the constraint of power electronics devices. If there is more number of switches, it produces switching loss also. This may reduce the efficiency of the device.

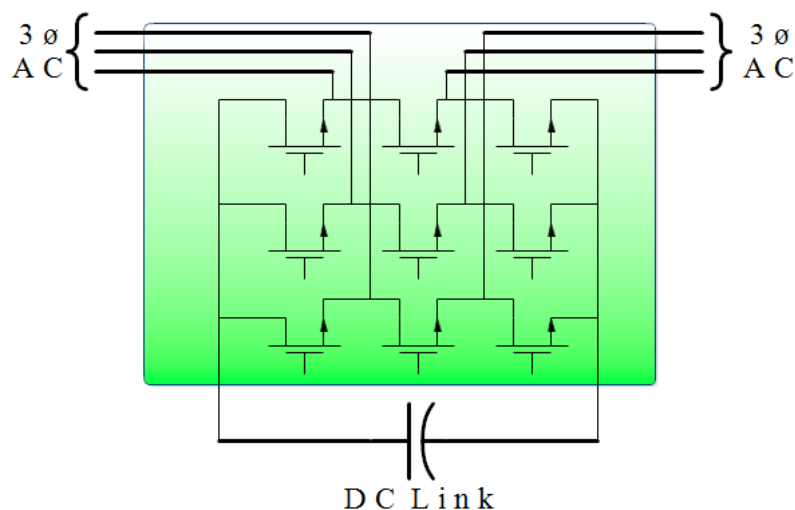


Figure 5. Back-to-Back 9 Pulse Voltage Source Converter

In order to overcome these problems, researchers had designed a new model of back-to-back converters which contains 9 switches [22-24], [53] instead of 12 switches. This model is widely used in the power conditioning devices and in some cases used as a dual output inverter. Depends on the application, it can be used with reduced losses and less number switches. Figure 5 shows the configuration of 9 pulse back-to-back voltage source converter.

## 2.2. Current Source Converter

### 2.2.1 Back-to-back 12 Pulse Current Source Converter

Recently the research of current source converters [14-15], [55] in the field of power systems increased and more recent developments were done by various researchers. The main advantage of current source converters is it act as a first order filter and provides natural protection on short circuit. This configuration consists of two 3 phase converters, which are connected to the common DC link reactor.

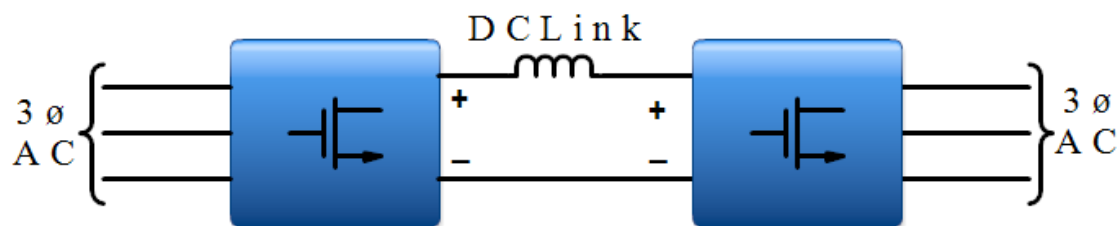


Figure 6. Back-to-Back 12 Pulse Current Source Converter

This model is widely used in Power conditioning devices , HVDC transmission, and wind energy conversion systems. For making this model more efficient many researchers has worked towards current source converters. Figure 6. shows the configuration of Back-to-Back 12 Pulse Current Source Converter.

## 3. Permanent Magnet Synchronous Generator (PMSG) based Wind Energy Conversion Systems (WECS)

### 3.1. PMSG WECS based on the Diode Rectifier Bridge and Inverter

A simple topology of a wind energy conversion system consists of a [31-32], [36], [44], [54] diode bridge rectifier, with a DC link to an inverter. This type of converter is simple and reliable, but the power factor of the PMSG [46] is low. The other problem is that, if the output voltage of the rectifier is lower than the grid, it cannot be synchronized with the grid. Figure 7 shows the configuration of PMSG WECS based on the Diode Rectifier Bridge and Inverter.

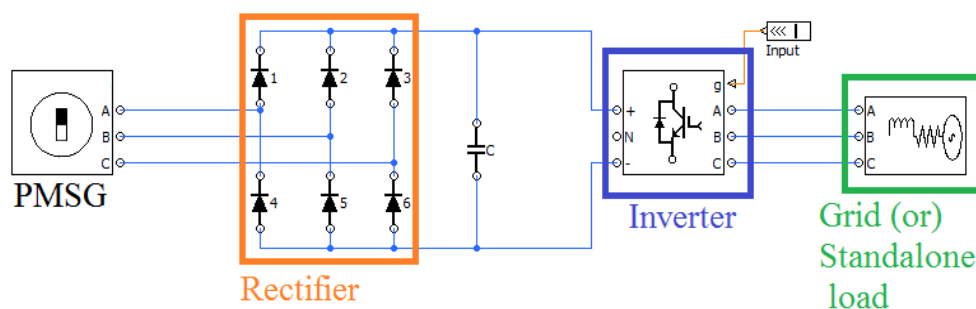


Figure 7. PMSG WECS based on the Diode Rectifier Bridge and Inverter

### 3.2. PMSG WECS Based on Back-to-Back Converter

The characteristics of the back-to-back converter [27-30], [33], [34], [56] are that the converter needs active devices at both rectifiers and the grid side of the inverter. The advantages of this model are both the rectifier and inverter bridges are controllable. The major disadvantage of back-to-back topology is that, the control strategy is complex and expensive due to need of 12-channel Pulse Width Modulation signals for the rectifier and the inverter. In a practical system, the control algorithm requires more processors like Micro-Controller Units, Digital Signal Processor, and Field Programmable Gate Array to control. Figure 8 shows the configuration of PMSG WECS Based on Back-to-Back Converter.

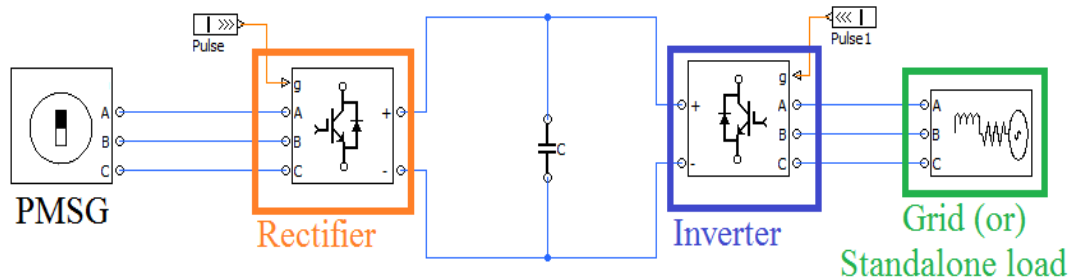


Figure 8. PMSG WECS Based on Back-to-Back Converter

### 3.3. PMSG WECS Based on Diode Bridge Rectifier, Boost Converter with Battery and Inverter

A topology with Rectifier and DC-DC converter (Boost Converter) is employed along with the Battery in the DC link to maintain the constant DC link voltage [37-39], [45], [47-49], [52]. The advantages of this model are DC link voltage is maintained constant. The major disadvantage is, it requires battery storage for maintaining the constant DC-link and the number of controlled parameter is also increased. In a practical system, the control algorithm requires more processors like Micro-Controller Units, Digital Signal Processor, and Field Programmable Gate Array to control. Figure 9 shows the configuration of PMSG WECS Based on Diode Bridge Rectifier, Boost Converter with Battery and Inverter.

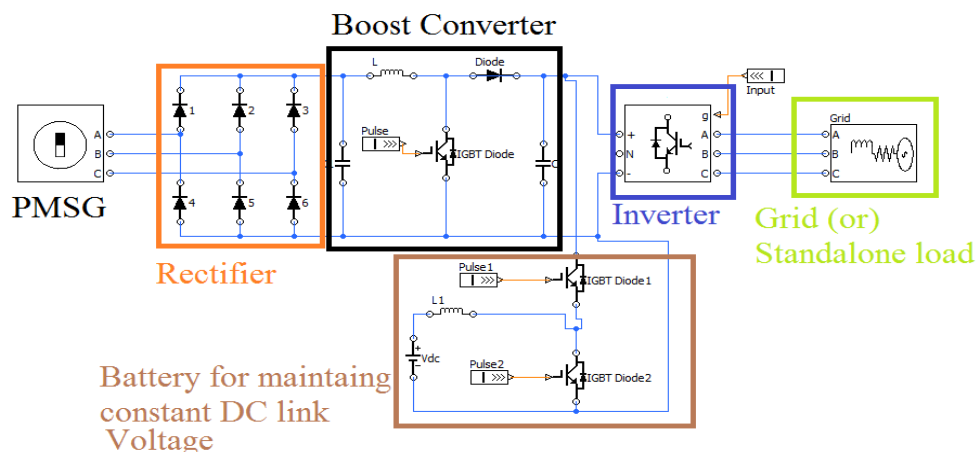


Figure 9. PMSG WECS Based on Diode Bridge Rectifier, Boost Converter with Battery and Inverter

Table 1. Comparison of PMSG WECS models

PMSG WECS based on	No of Controllable switches	Control algorithm and Implementation	Implementation Cost	Efficiency
Diode Rectifier Bridge and Inverter	6	Simple	Low	Low
Back-to-Back Converter	12	Complex	High	High
Diode Bridge Rectifier and DC Chopper with Battery and Inverter	9	Complex	High	High
Diode Bridge Rectifier, Buck Boost Converter and Inverter	7	Simple	Less	High

#### 4. Controller for Back To-Back Converter

For making the efficient and controlled operation controller part is necessary for the power electronics devices the widely used control algorithm is synchronous reference frame theory in which the three phase-coordinates (abc) is converted to two co-ordinates (dq0) and based on the requirements the error signal is calculated by comparing with the reference source [10-11], [16], [21], [35], [50-51]. The Transformation matrix from abc to dq0 is given in equation (1). The Inverse Transformation matrix dq0 to abc is given in equation (2). The hardware implementation is done using DSP and FPGA kits using the same algorithm for various types of applications.

$$\begin{bmatrix} i_a \\ i_b \\ i_c \end{bmatrix} = \sqrt{\frac{2}{3}} \begin{bmatrix} \cos\theta & -\sin\theta & \sqrt{\frac{1}{2}} \\ \cos(\theta - \frac{2\pi}{3}) & -\sin(\theta - 2\pi/3) & \sqrt{\frac{1}{2}} \\ \cos(\theta + \frac{2\pi}{3}) & -\sin(\theta + 2\pi/3) & \sqrt{\frac{1}{2}} \end{bmatrix} \begin{bmatrix} i_d \\ i_q \\ i_0 \end{bmatrix} \quad (1)$$

$$\begin{bmatrix} i_d \\ i_q \\ i_0 \end{bmatrix} = \sqrt{\frac{2}{3}} \begin{bmatrix} \cos\theta & \cos(\theta - \frac{2\pi}{3}) & \cos(\theta + 2\pi/3) \\ -\sin\theta & -\sin(\theta - 2\pi/3) & -\sin(\theta + 2\pi/3) \\ \sqrt{\frac{1}{2}} & \sqrt{\frac{1}{2}} & \sqrt{\frac{1}{2}} \end{bmatrix} \begin{bmatrix} i_a \\ i_b \\ i_c \end{bmatrix} \quad (2)$$

#### 5. Conclusion

A comprehensive review on the different model configurations of back-to-back converters in the field of PMSG based wind energy systems is reported in this paper. The performance, efficiency and implementation cost of the each model is analyzed. The recent developments are based on the high efficient converters with reduced number of switches and high efficient converters for power conditioning devices, High voltage direct current transmission, and renewable energy conversion systems. Different model configurations of back-to-back converters have been addressed. These devices have wide area of applications in the field of power systems and the various design configurations are classified in this paper. The review on back-to-back converters in PMSG based WECS will serve as reference guide for the researcher for the further development of the high efficient systems.

## References

- [1] June-Seok Lee, Kyo-Beum Lee, and Frede Blaabjerg. Open-Switch Fault Detection Method of a Back-to-Back Converter Using NPC Topology or Wind Turbine Systems. *IEEE Transactions on Industry Applications*. 2015; 51(4): 325-335.
- [2] Applications Xiaoliang Guo, David Xu, Josep M. Guerrero and Bin Wu Space Vector Modulation for DC-Link Current Ripple Reduction in Back-to-Back Current-Source Converters for Microgrid. *IEEE Transactions on Industrial Electronics*. 2015; 62(10): 6008-6013.
- [3] I Syed Meer Kulam Ali P Aravindan Dr MY Sanavullah. "Mppt Based Permanent Magnet Synchronous Generator for Wind Energy Conversion System". *International Journal of Communications and Engineering*. 2012; 4(4).
- [4] Jingya Dai, Dewei (David) Xu, and Bin Wu. A Novel Control Scheme for Current-Source-Converter-Based PMSG Wind Energy Conversion Systems. *IEEE Transactions on Power Electronics*. 2009; 24(4).
- [5] H Hingorani. Introducing Custom Power. *IEEE Spectrum*. 1995; 32(6): 41-48.
- [6] Pedro E Melín, José R Espinoza, Luis A Morán, José R Rodriguez, Victor M Cardenas, Carlos R Baier, and Javier A Muñoz. Analysis Design and Control of a Unified Power-Quality Conditioner Based on a Current-Source Topology. *IEEE Transactions on Power Delivery*. 2012; 27(4): 1727-1736.
- [7] Metin Kesler and Engin Ozdemir. Synchronous-Reference-Frame-Based control Method for UPQC under Unbalanced and Distorted Load Conditions. *IEEE Transactions on Industrial Electronics*. 2011; 58(9): 3967-3975.
- [8] Vinod Khadkikar. Enhancing Electric Power Quality Using UPQC: A Comprehensive Overview. *IEEE Transactions on Power Electronics*. 2012; 27(5): 2284-2297.
- [9] Vinod Khadkikar. Member IEEE Vadirajacharya G. Kinhal, Promod Agarwal, and Hari Oam Gupta. 'Performance Investigation of Neural-Network-Based Unified Power-Quality Conditioner'. *IEEE Transactions on Power Delivery*. 2011; 26(1): 431-437.
- [10] José M Espí Huerta, Jaime Castelló-Moreno, Jonatan Roberto Fischer and Rafael García-Gil. 'A Synchronous Reference Frame Robust Predictive Current Control for Three-phase Grid-connected Inverters'. *IEEE Transactions on Industrial Electronics*. 2010; 57(3): 954-962.
- [11] Carlos Henrique da Silva, Rondineli Rodrigues Pereira, Luiz Eduardo Borges da Silva, Germano Lambert-Torres, Bimal K. Bose, and Se Un Ahn. 'A Digital PLL Scheme for Three-Phase System Using Modified Synchronous Reference Frame'. *IEEE Transactions on Industrial Electronics*. 2010; 57(11): 3814-3821.
- [12] Ramadan El Shatshat, MMA Salama and Mehrdad Kazerani. 'Artificial Intelligent Controller for Current Source Converter-Based Modular Active Power Filters'. *IEEE Transactions On Power Delivery*. 2004; 19(3): 1314-1320.
- [13] Alper Terciyani, Muammer Ermis and Isik Cadirci. 'A Selective Harmonic Amplification Method for Reduction of kVA Rating of Current Source Converters in Shunt Active Power Filters'. *IEEE Transactions on Power Delivery*. 2011; 26(1): 65-78.
- [14] Ning Zhu, David Xu, BinWu, Fellow, Navid R. Zargari, Mehrdad Kazerani. 'Common-Mode Voltage Reduction Methods for Current-Source Converters in Medium-Voltage Drives'. *IEEE Transactions on Power Electronics*. 2013; 28(2): 995-1006.
- [15] Rajasekaran Dharmalingam, Subhransu Sekhar Dash, Karthikrajan Senthilnathan, Arun Bhaskar Mayilvaganan, and Subramani Chinnamuthu. 'Power Quality Improvement by Unified Power Quality Conditioner Based on CSC Topology Using Synchronous Reference Frame Theory'. *The Scientific World Journal*. 2014; Article ID 391975: 1-7.
- [16] Wahyuni martiningsih, M Ashari, Adi Soeprijanto, Dian Sawitri. 'Sag Voltage Identification on 30 KV systems Affected by Electric Arc Furnace Using Wavelet Transformation Method'. *Journal of Theoretical and Applied Information Technology*. 2014; 61(2): 352-357.
- [17] T Devaraju, VC Veera Reddy and M Vijay Kumar. 'Modeling and Simulation of Custom Power Devices to Mitigate Power Quality Problems'. *International Journal of Engineering Science and Technology*. 2012; 26: 1880-1885.
- [18] Hideaki Fujita and Hirofumi Akagi. The unified power quality conditioner: the integration of series- and shunt- active filters". *IEEE Transactions on power electronics*. 1998: 315-322.
- [19] M Aredes, K Heumann and EH Watanabe. "An universal active power line conditioner". *IEEE Trans. Power Del.* 1998; 13(2): 545-551.
- [20] B Han, B Bae, H Kim and S Baek. "Combined operation of unified power-quality conditioner with distributed generation". *IEEE Trans. Power Delivery*. 2006; 21(1): 330-338.
- [21] V Khadkikar and A Chandra. "A new control philosophy for a unified power quality conditioner (UPQC) to coordinate load-reactive power demand between shunt and series inverters". *IEEE Trans. Power Del.* 2008; 23(4): 2522-2534.
- [22] SMD Dehnavi, M Mohamadian, A Yazdian and F Ashrafzadeh. "Space vectors modulation for nine-switch converters". *IEEE Trans. Power Electron.* 2010; 25(6): 1488-1496.

- [23] L Zhang, PC Loh and F Gao. "An integrated nine-switch power conditioner for power quality enhancement and voltage sag mitigation". *IEEE Trans. Power Electron.* 2012; 27(3): 1177-1190.
- [24] PC Loh, L Zhang and F Gao. "Compact integrated energy systems for distributed generation". *IEEE Trans. Ind. Electron.* 2013; 60(4): 1492-1502.
- [25] I Syed Meer Kulam Ali P Aravindan Dr MY Sanavullah. "Mppt Based Permanent Magnet Synchronous Generator for Wind Energy Conversion System". *International Journal of Communications and Engineering.* 2012; 04-4(02).
- [26] Eftichios Koutroulis and Kostas Kalaitzakis. "Design of a Maximum Power Tracking System for Wind-Energy-Conversion Applications". *IEEE Transactions on Industrial Electronics.* 2006; 53(2).
- [27] Rajib Datta VT Ranganathan. "A Method of Tracking the Peak Power Points for a Variable Speed Wind Energy Conversion System". *IEEE Transactions on Energy Conversion.* 2003; 18(1);
- [28] S Masoud Barakati, Mehrdad Kazerani, J Dwight Aplevich. "Maximum Power Tracking Control for a Wind Turbine System Including a Matrix Converter". *IEEE Transactions on Energy Conversion.* 2009; 24(3).
- [29] Vinod Kumar, RR Joshi and RC Bansal. "Optimal Control of Matrix Converter-Based WECS for Performance Enhancement and Efficiency Optimization". *IEEE Transactions on Energy Conversion.* 2009; 24(1);
- [30] B Venkatesa Perumal and Jayanta K Chatterjee. "Voltage and Frequency Control of a Stand Alone Brushless Wind Electric Generation Using Generalized Impedance Controller". *IEEE Transactions on Energy Conversion.* 2008; 23(2).
- [31] Mehdi T Abolhassani, Prasad Enjeti, Hamid Toliyat. "Integrated Doubly Fed Electric Alternator/Active Filter (IDEA), a Viable Power Quality Solution, for Wind Energy Conversion Systems". *IEEE Transactions on Energy Conversion.* 2008; 23(2).
- [32] Wei Qiao, Wei Zhou, José M Aller, Ronald G Harley. "Wind Speed Estimation Based Sensorless Output Maximization Control for a Wind Turbine Driving a DFIG". *IEEE Transactions on Power Electronics.* 2008; 23(3).
- [33] R Pena, JC Clare, GM Asher. "Doubly fed induction generator using back-to-back PWM converters and its application to variable- speed windenergy generation". *IEE Proc.-Electr. Power Appl.* 1996; 143(3).
- [34] Lie Xu & Phillip Cartwright. "Direct Active and Reactive Power Control of DFIG for Wind Energy Generation". *IEEE Transaction on Energy Conversion.* 2006; 21(3).
- [35] Jingya Dai, Dewei (David) Xu, and Bin Wu. "A Novel Control Scheme for Current-Source-Converter-Based PMSG Wind Energy Conversion Systems". *IEEE Transactions on Power Electronics.* 2009; 24(4).
- [36] E Spooner and AC Williamson. "Directly Connected PMSG for Wind Turbine Application". *IEEE. Elec. Power Appl.* 1996; 43(1).
- [37] Monica Chinchilla, Santiago Arnaltes and Juan Carlos Burgos. "Control of Permanent-Magnet Generators Applied to Variable Speed Wind Energy Systems Connected to Grid". *IEEE Transactions on Energy Conversion.* 2006; 21(1).
- [38] Hong-Woo Kima, Sung-Soo Kim, Hee-Sang Ko. "Modeling and control of PMSG-based variable-speed wind turbine". *Electric Power Systems Research.* 2010; 80: 46-52.
- [39] Andrew M Knight, Member, IEEE and Glenn E Peters. "Simple Wind Energy Controller for an Expanded Operating Range". *IEEE Transactions on Energy Conversion.* 2005; 20(2).
- [40] FI and F Blaabjerg. "Power Electronics Control of Wind Energy in Distributed Power Systems". *Renew. Energy.* 2009; 333-364.
- [41] HMK and LC Mostafa Abarzadeh. "Power electronics in Small Scale Wind Turbine Systems". *Adv. Wind Power, INTECH.* 2012; 1: 305-335.
- [42] RC Portillo, MM Prats, JI Leon, JA Sánchez, JM Carrasco, E Galván and LG Franquelo. "Modelling strategy for back-to-back three-level converters applied to high-power wind turbines". *IEEE Trans. Ind. Electron.* 2006; 53(5): 1483-1491.
- [43] Y Che, W Zhang, L Ge, and J Zhang. "A Two-Stage Wind Grid Inverter with Boost Converter". *J. Appl.* 2014.
- [44] J Vannier. Stand-Alone Wind Energy Conversion System with Maximum Power Transfer Control Control De Máxima Transference De Potencia. *Ingeniare.Revista Chil. Ing.* 2009; 17: 329-336.
- [45] S Belakehal, H Benalla and A Bentounsi. Power maximization control of small wind system using permanent magnet synchronous generator". *Rev. des énergies.* 2009; 12: 307-319.
- [46] R Bansal, T Bhatti and D Kothari. "On some of the design aspects of wind energy conversion systems". *Energy Convers. Manag.* 2002; 43: 2175-2187.
- [47] YF Wang, L Yang, C Wang, W Li, W Qie and S Tu. "High Step-Up 3-Phase Rectifier with Fly-Back Cells and Switched Capacitors for Small-Scaled Wind Generation Systems". *Energies.* 2015; 8: 2742-2768.
- [48] T Freitas, P Menegáz and D Simonetti. A New Application of the Multi-Resonant Zero-Current Switching Buck Converter: Analysis and Simulation in a PMSG Based WECS. *Energies.* 2015; 10219-10238.



- [49] M Hussein, T Senjyu, M Orabi, M Wahab and M Hamada. "Control of a Stand-Alone Variable Speed Wind Energy Supply System". *Appl. Sci.* 2013; 3(2): 437–456.
- [50] Karthikrajan Senthilnathan, Iyswarya annapoorani: "Implementation of UPQC-CSC for Distribution Grid and Performance monitoring through LabVIEW SIT server - A Cyber Physical model", IET Generation, Transmission & Distribution, 2016, DOI: 10.1049/iet-gtd.2015.1040.
- [51] Mutharasan A, Rameshkumar T, Ajitha A. "Wind Energy Conversion Based On Matrix Converter". *International Journal of Power Electronics and Drive System.* 2014; 5(1): 119-128.
- [52] Bing Wang, Yanping Qian, Honghua Wang. "Multi-Machine Controller Design of Permanent Magnet Wind Generators using Hamiltonian Energy Method". *TELKOMNIKA.* 2013; 11(7): 3750 – 3758.
- [53] S Ravi, Vitaliy Mezhuyev, K Iyswarya Annapoorani, P Sukumar. "Desing and Implementation of a Microcontroller Based Buck Boost Converter as a Smooth Starter for Permanent Magnet Motor". *Indonesian Journal of Electrical Engineering and Computer Science.* 2016; 1(3): 566 – 574.
- [54] Shilpa Mishra, S Chatterji, Shimi SL, Sandeep Shukla. "Modeling and Controlling of Standalone PMSG WECS for Grid Compatibility at Varying Wind Speeds". *TELKOMNIKA Indonesian Journal of Electrical Engineering.* 2015; 13(3): 410 – 417.
- [55] Karthikrajan Senthilnathan and K Iyswarya Annapoorani. "Artificial Neural Network Control Strategy for Multi-converter Unified Power Quality Conditioner for Power Quality improvements in 3-Feeder System". *Artificial Intelligence and Evolutionary Computations in Engineering Systems.* Springer India. 2016; 394: 1105-1111.
- [56] Ravi, Mohanasundaram, Arun Venkatesh Jayakumar, I Felice, and Karthikrajan Senthilnathan. "Mitigating Power Quality Problems and Comparison of PV Supported Dynamic Voltage Restorer and Distribution STATCOM in Stand Alone Wind Energy Conversion System". *International Journal of Applied Engineering Research.* 2014; 9(24): 26431-26445.