

Cadmium Doped with Selenides and Telluride for Photovoltaic Applications: A Review

Nivetha S^{1,2}, Perumalsamy R^{1,3}, Ayeshamariam A^{1,2*}, Srinivasan MP⁴, Mohamed Saleem A^{1,5}, Punithavelan N⁴ and Jayachandran M⁶

¹Research and Development Center, Bharathidasan University, Thiruchirappalli, 620 024, India

²Department of Physics, Khadir Mohideen College, Adirampattinam, 614 701, India

³Department of Physics, Sir Theagaraya Higher Secondary School, Chennai, 600 021, India

⁴Department of Physics Divisions, School of Advanced Sciences (SAS), VIT University Chennai Campus, Chennai, 600 127, India

⁵Department of Physics, Jamal Mohamed College, Thiruchirappalli, 620 024, India

⁶Department of Physics, Sethu Institute of Technology, Pulloor, Kariapatti, 626 115, India

Abstract

Materials are the heart and soul of photovoltaic devices. Based on the nature of materials, photovoltaics (solar cells) have been classified into various types. Based on its classifications many oxide and metallic materials are mainly used for photovoltaic applications. Device structure and nature of materials are very critical for the overall efficiency and performance of photovoltaics. However here in this particular review we will be only converging on the nature of various materials used to develop solar cells and their performances by using the materials of C, Cd, In doped Selenides and Telluride. Likewise the use of nanomaterials for biosensors based in thin film, particularly carbon based materials and its doping with selenides and telluride have attracted considerable attention due to provide a high surface-volume ratio, faster electron transfer and label-free responses. This review discussed these materials and its efficiencies.

Keywords: Cis solar cells; PV industry; Deposition techniques, Chalcogenides compounds

Introduction

Global warming is causing a rise in sea levels, and this leads to a loss of coastal wetlands, erosion of shorelines, and increased flooding in coastal areas. Local and regional climate shifts can also have severe impacts on ecosystems and agriculture. Solar power produces no greenhouse gases, so it does not contribute to global warming. Energy experts are evaluating the "energy payback" of PV systems—the time it takes a PV system to generate enough zero-emission energy to equal the energy used to produce it. Chalcogenide CdS_xSe_{1-x} thin films are most promising materials due to the possibility of adjusting and tailoring their electrical properties [1-3]. Microstructure of thin films differs from the structure of the bulk material of similar compositions and can vary depending on the growth conditions. It has also been found that microstructure and the stoichiometry of CdS-Se thin films were extremely sensitive to its element component ratios where selenium does as donor impurities [4]. Thin films of the ternary CdS_xSe_{1-x} compositions can be synthesized by different techniques; such as thermal evaporation technique [5], chemical bath deposition (CBD) technique [6], laser ablation technique [7] and chemical spray pyrolysis thin films of the ternary chalcogenide compound of CdS_{0.1}Se_{0.9} have been prepared by thermal evaporation where the physical properties were studied as a function of the film thickness [8].

The thermal evaporation process is widely used because it is an accurate method, where the preparative conditions (evaporation rate, film thickness, surface morphology and the structural state) can be controlled. This technique has already been used for preparation of the thin films of semiconducting compounds and alloys including CdS-Se ternary systems.

A comparative study was carried out among the present thin films and similar samples of the previous literature Solar electric systems also known as photovoltaic (PV) systems have very little impact on the environment, making them one of the cleanest power-generating technologies available. While they're operating, PV systems produce no air pollution, hazardous waste, or noise, and they require no

transportable fuels. Because of these benefits, PV can play an important role in mitigating environmental problems like these. Ground-level air pollution has severe health and environmental effects and contributes to visibility problems in scenic areas. Traditional power sources are the largest contributor to this pollution; in contrast, solar power produces no air pollution. By varying Se and Te concentration cadmium chalcogenides indicate that the band gap of CdSe_(1-x)Te_(x) system can be tuned. Variation in band gap reveals the optoelectronic behavior of these window materials. To achieve high efficiency single and multijunction solar cells, controlling the band gap of the absorber layer is required [9].

Here, we demonstrate an effective, low-cost colloidal method to synthesize a red- to near infrared (NIR) absorbing Cu-doped CdSeTe-alloyed sensitizer via a non-injection one pot approach. These Cu-doped CdSe_{0.6}Te_{0.4} NCs are further studied to measure their structural, compositional, and optical properties. XRD and its initio simulation confirmed the formation of CdSeTe with a cubic structure and Cu-doped CdSeTe-alloyed NCs with a hexagonal structure. EDX compositional analysis clearly showed the doping of Cu in CdSeTe NCs. For the photovoltaic performance of the synthesized NCs, we have assembled TiO₂ and Cu-doped CdSeTe using the molecular linker 3-MPA. An ex situ fabrication method has been adopted to exchange the ligands with bi-functional ones. Moreover, for further understanding the Cu dopant effect on the charge transfer in CdSeTe semiconductor NCs, we have performed band engineering characterization using ab

*Corresponding author: Ayeshamariam A, Research and Development Center, Bharathidasan University, Tiruchirappalli, 620 024, India, Tel: +91 9486738806; E-mail: aismma786@gmail.com

Received July 03, 2017; Accepted August 12, 2017; Published August 20, 2017

Citation: Nivetha S, Perumalsamy R, Ayeshamariam A, Srinivasan MP, Mohamed Saleem A, et al. (2017) Cadmium Doped with Selenides and Telluride for Photovoltaic Applications: A Review. Fluid Mech Open Acc 4: 167. doi: 10.4172/2476-2296.1000167

Copyright: © 2017 Nivetha S, et al. This is an open-access article distributed under the terms of the Creative Commons Attribution License, which permits unrestricted use, distribution, and reproduction in any medium, provided the original author and source are credited.

initio calculations. (0.5 mmol) of Te in 1 mL of TOP and 2 mL of ODE at 310°C, respectively, both under Ar with constant stirring followed by cooling to room temperature. After the injection of the Se and Te solutions, the reaction system was further heated to 260°C at a rate of 2°C/min and kept at this temperature for an additional 30 min. With the injection of Se and Te precursors and the increased temperature, the originally yellow solution turned red, and finally black, indicating the growth of NCs. Aliquots were taken out of the reaction mixture at different temperatures and injected into cold chloroform to terminate the growth of the NCs and further used for optical characterization. On reaching desired QD size, the heat supply to the reaction pot was removed, and the resultant QDs washed with 1:1 of hexane and ethanol to extract the solvent and separate the NCs from the byproducts and any unreacted precursors present. This purification process of NCs was repeated three times. The as-prepared CdSexTe_(1-x) solution was further purified by centrifugation and decantation with the addition of acetone, and the NCs were finally stored in chloroform.

Instead, the pre-synthesized colloidal QDs can allow good quality QDs with well-defined particle sizes, size distribution and morphologies as well as ideal photoelectrical properties. Meng et al. reported 5.38% and 5.04% of PCEs based on aqueous colloidal CuInS₂ QDs and core-shell CdSexTe_(1-x)/CdS QDs, respectively [10,11].

Sensitization Solar Cell

Sensitization solar cell is based on a charge transfer from light excited organic molecules to a semiconductor with a large band gap which is the basis of photography. Organic dye molecules sensitize silver halide crystallites. Whereas in photography the charge transfer occurs only once to form the silver based photographic image. In sensitization solar cells the circuit is closed through an electrolyte, which allows for continuous current. The whole module is 30 × 30 cm² in size [12]. TiO₂ nanoparticle layer was used here according to the literature in lower temperature [13] shown in Figure 1a and 1b.

Fabricated dye-sensitized solar cell

By using an absorber which is embedded in a transparent pn-junction, the light-induced charge carriers are separated immediately by the built-in field. No diffusion is necessary to reach the space charge region. Because of this the recombination probability in the absorber

is reduced dramatically. In the n-/p-type semiconductors we deal with majority charge carriers which can be easily transported. For this effect a thin absorber is necessary. To guarantee sufficient absorption the layer has to be folded to allow multiple passing of the light. The before mentioned transport mechanisms imply only little requirements to the absorber material. The main problem of other cell concepts, long diffusion length of minority carriers which means high electronic quality, can be overcome. So no electronic but optical properties have to be taken into account. Idea by using an absorber which is embedded in a transparent pn-junction the light-induced charge carriers are separated immediately by the built-in field. No diffusion is necessary to reach the space charge region. Because of this the recombination probability in the absorber is reduced dramatically. In the n-/p-type semiconductors we deal with majority charge carriers which can be easily transported. For this effect a thin absorber is necessary. To guarantee sufficient absorption the layer has to be folded to allow multiple passing of the light shown in Figure 2.

Organic solar cell

Zinc copper thalocyanine solar cells by thermal evaporation and especially role of these materials which property made them effective C₆₀ thin films. Organic solar cell solution process, on functionalized C₆₀ and other layers hole and electron transport layers. Three types of organic solar cells are currently developed, molecular organic solar cells made from relatively small organic molecules, Polymer (or Plastic) organic solar cells mainly based on electrically conductive polymers, and sensitization solar cells. Highly porous TiO₂ electrodes in a sol-gel process gives the high light to current conversion efficiency. The sensitized photoelectron chemical solar cell based on organic dye sensitized titanium oxide sintered from small particles onto transparent conductive oxide (TCO) glasses is assumed to be very promising because the production costs are expected to be low because the large scale commercial application of photo electrochemical solar energy conversion [13]. But new scientific results were reported on the possible utilization of energy transfer to improve sensitization processes from the Dutch organic solar cells, i.e. photosynthesis excitation energy should be transported through organic molecules towards a kind of “reaction center” where in the classical photovoltaic process it is finally used for charge generation, separation and transport shown in Figure 3.

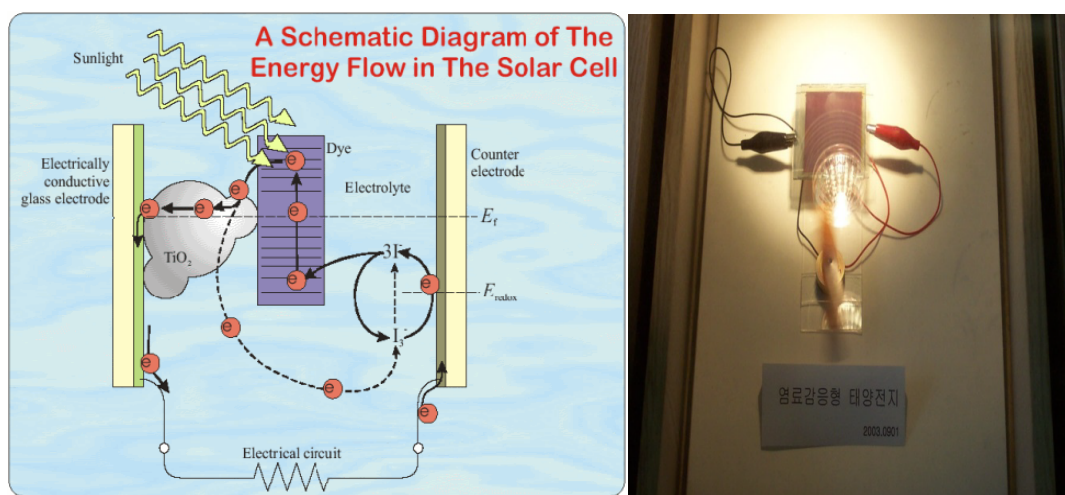
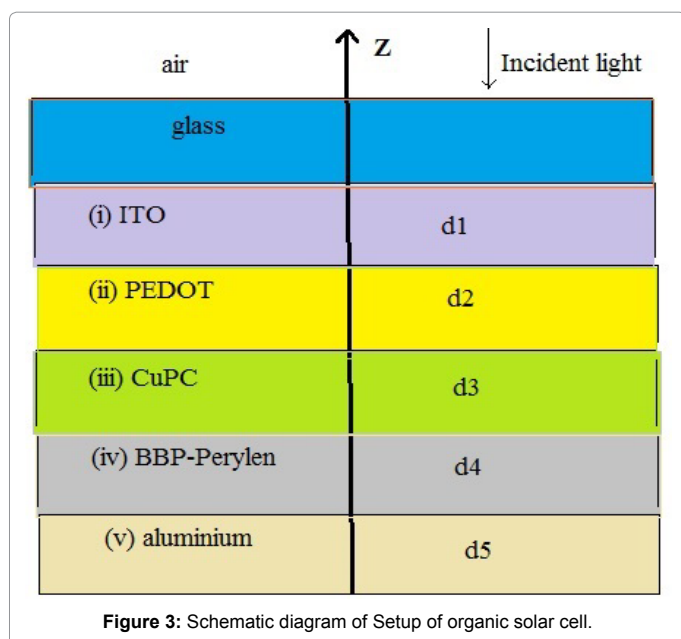
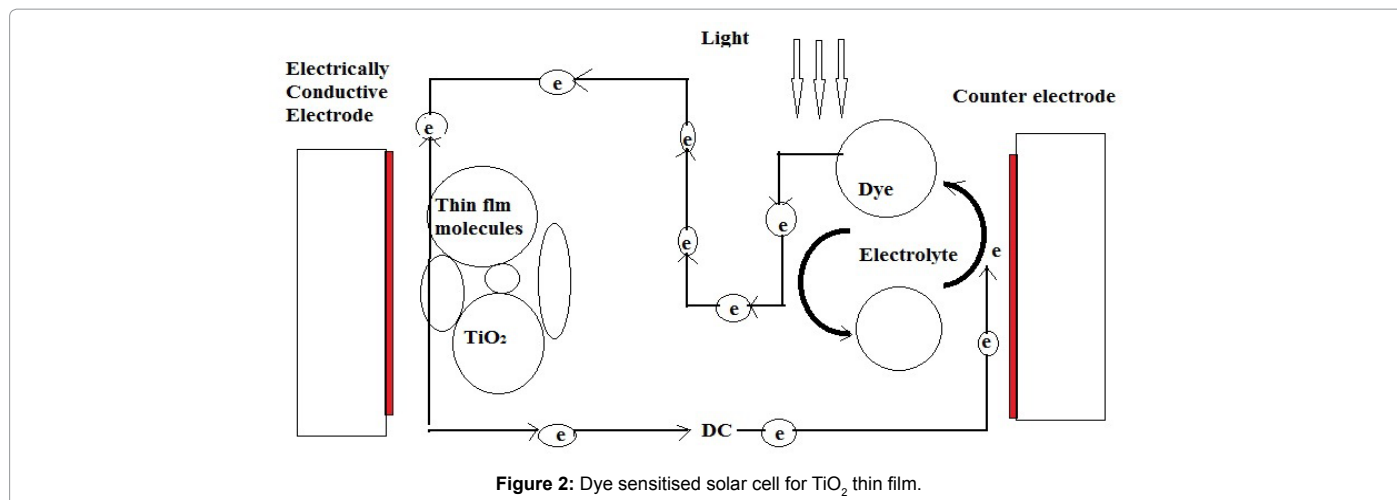


Figure 1: (a and b) Dye sensitized solar cell and its energy flow. A: are of cell; W: cell thickness; η : efficiency; V_{oc} : open-circuit voltage; I_{sc} : short-circuit current.



Polymer organic solar cells

Within a very short time, efficiencies in the same order of magnitude as that of molecular organic solar cells were achieved for their plastic solar cells. Based on an extremely fast excited electron transfer from light absorbing semiconducting polymers such as phenylene-vinylenes to embedded Fullerene (C_{60}) molecules, surprisingly high photocurrents are produced taking into account the relatively low absorption coefficients of most polymers. Depending on the thickness and optical constants of the individual layers, the interaction of a light source with a multilayer causes distinct distributions of the electric field and energy absorption density [14]. Studies of electric field distribution in bilayer organic photovoltaic devices made of Zinc-Phthalocyanine (ZnPC), Perylene pigment (MPP) and other materials have been carried out [15]. If the polymer or PCBM domains get too big (as in the case of 80 wt% PCBM content), the exciton ionization efficiency is not optimal and if the domains are too small, the charge-transfer states will not separate and/or the charge transport to the electrodes is inhibited. Unfortunately, this is made challenging by the fact that charge-transfer states and free charges both show broad and unstructured photo

induced absorption in amorphous polymers. P3HT:PCBM blends, however, are a fortunate case, because the absorption of charges in the polycrystalline P3HT changes significantly depending on their confinement. The spectral signature of a charge localized on a single P3HT chain is very different to that of a charge delocalized over several P3HT chains in a crystalline domain. This signature can be used to detect spatially separated charge carriers that have migrated away from the interface into a crystalline polymer region [16-20]. Astuti et al., 130, 10, 3030-3042. Copyright (2008) American Chemical Society reported, the rates of charge-transfer state separation and germinate and nongerminate recombination of charges have been examined using transient absorption spectroscopy on nanosecond to microsecond timescales in PCBM: polythiophene blends [18]. Hwang et al. report a much faster charge separation time (picoseconds) [17]. Despite this discrepancy, it is agreed that the rates vary with material system and morphology, and have been shown to limit the efficiency of organic solar cells [19,20]. The pathways available for charge-transfer state recombination vary. In low open-circuit voltage blends, such as those that employ PCBM as an electron acceptor, the charge-transfer states can only recombine directly into the ground state. The absence of any other recombination channels, coupled with the fast kinetics of charge separation due to high carrier mobilities, may explain the high quantum efficiency observed in P3HT:PCBM solar cells. In high open-circuit voltage solar cells, further recombination mechanisms arise, because the triplet exciton on the lower-band-gap polymer are now thermodynamically available. Thus, charge-transfer states can recombine to form a triplet exciton and this also is the fundamental loss channel that reduces the solar-cell quantum efficiency [21,22] shown in Figures 4 and 5.

CIS Solar Cells

The cds/cdte solar cell

The cell is produced from polycrystalline materials and glass, which is a potentially much cheaper construction than bulk silicon. The chemical and physical properties of the semiconductors are such that the polysilicon thin-films can be deposited using a variety of different techniques. CdTe has a bandgap which is very close to the theoretically-calculated optimum value for solar cells under unconcentrated AM1.5 sunlight. CdTe has a high absorption coefficient, so that approximately 99% of the incident light is absorbed by a layer thickness of only $1 \mu\text{m}$ (compared with around $10 \mu\text{m}$ for Si), cutting down the quantity of semiconductor required shown in Figures 6a and 6b.

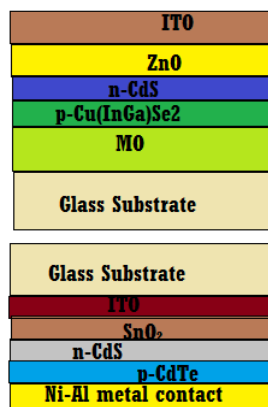


Figure 4: Schematic diagram of Trilayer structure of p-Cu(InGa)Se₂.

efficiency in 2007. Current devices employed on satellites have efficiencies ~28.3%. CIS has direct band gap with E_g 1 eV and high cell efficiency of 19.2%, current complicated and capital intensive fabrication. CdTe has direct band gap of E_g 1.45 eV and its efficiency is 16.5%. It has efficiency 27% under AMO illumination at 28°C, GaInP/GaInAs/Ge by Spectrolab (A Boeing Company) achieved 40.7% efficiency in 2007. Current devices employed on satellites have efficiencies ~28.3%

Glass/SnO₂:F/CdS/CdTe/Au:Cu solar cell structure consists of five layers to fabricate by using the optimized deposition conditions of CdS and CdTe by Electrodeposition. Depositions were carried out for two different optimized Te ion concentrations (40 ppm and 120 ppm) and for different deposition potentials from 100 mV to -700 mV. After the deposition of CdTe films on CdS/SnO₂:F/glass substrates, the films were dried by nitrogen gas flow and annealed at 200°C for 10 minutes to make conversion from n-type to p-type as presented by (Bosal et al. 1984). After the heat treatment the CdTe surface was etched by saturated potassium dichromate in sulfuric acid solution for 2 seconds to remove the Cadmium oxide layers and washed thoroughly with deionised water. Then the samples were dried and dripped into the hydrogen hydrate solution for 15 to 30 minutes and dried in N₂ gas flow to mask cadmium deficient surface for the deposition of better ohmic contact with low contact resistance on p-CdTe film. Finally the total structure was transferred to Vacuum chamber and 5000 Å thick Au-Cu alloy was deposited for the purpose of back ohmic contact.

CdS films can be successfully deposited on the surface of CdTe NRs by these two different methods. Compared to SILAR method, a high loading and full coverage of CdS film can be obtained by a simple CBD method in a short period of time on CdTe NRs. CdS sensitized CdTe films show significant enhancement in the photoelectric activity compared with bare CdTe films. Through comparing these two methods, it can be observed that the photocurrent density of CdTe/CBD-CdS films is slightly improved in contrast with CdTe/SILAR-CdS films. According to the excellent optical performance achievement, CdTe/CBD-CdS films can be a promising application in photovoltaic devices.

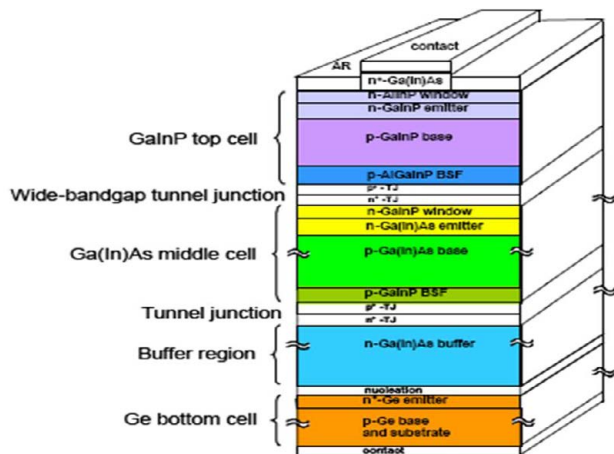


Figure 5: Schematic diagram of GaInP/GaAs cells on Ge triple junction.

Fabrication of glass/SnO₂:F/CdS/CuInSe₂/Ag structure

Electrodeposited CdS on SnO₂:F/glass was used as a substrate for the Electrodeposition of CuInSe₂ thin films using the solution having 10 mM CuSO₄, 50 mM InCl₃ and 30 mM SeO₂ by applying the cathodic deposition potential of -0.4 to -0.6 V at 90°C. After depositing CuInSe₂, the films were washed with de-ionised water and dried by nitrogen gas flow. Then the films were transferred to the vacuum chamber for the Ag back ohmic contact deposition of 5000 Å thickness. The fabricated glass/SnO₂:F/CdS/CuInSe₂/Ag structures were annealed in nitrogen atmosphere for 30 minutes at 350°C illuminated condition of 100 mW/cm² shown in Figures 7a and 7b.

Fabrication of CdS/InP/Ag:Zn structure

LEC (Liquid Encapsulated Czochralski) grown p-type InP (111) single crystals were used as substrates for this cell. The wafers were chemo mechanically polished using 1% bromine-methanol standard solution. The polished wafers were cleaned first by rinsing in warm trichloroethylene (TCE) acetne and methanol followed by the final etching in HF:H₂O (1:1). Alloyed Ag:Zn material was evaporated on the backside of the cleaned InP substrates for the back ohmic contacts and annealed at 370°C for 3 minutes. After masking the back ohmic contacts of InP substrate, the sample was mounted on the cathode for

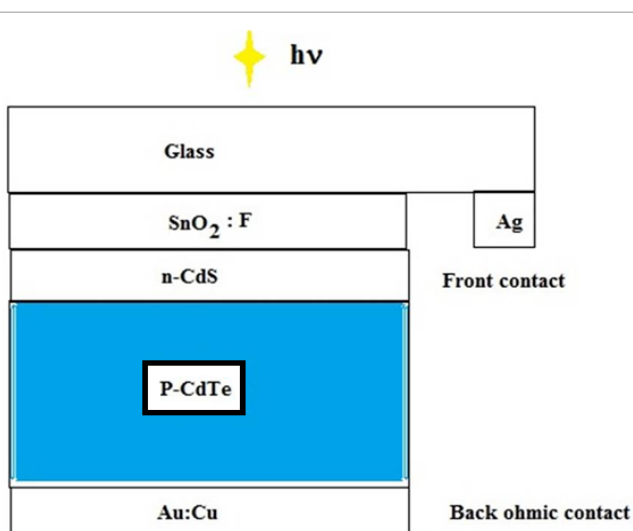
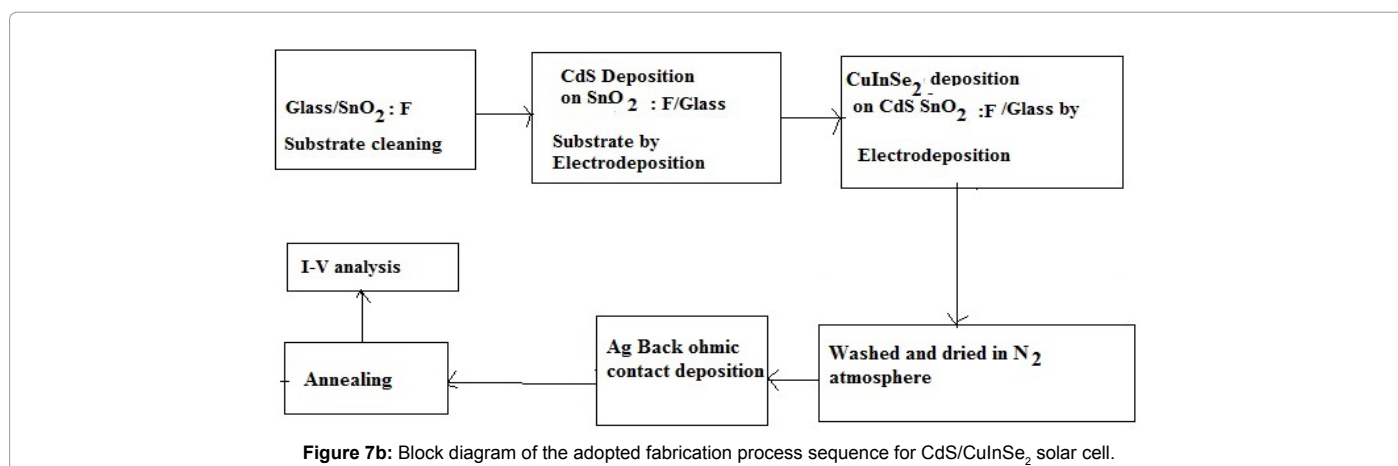
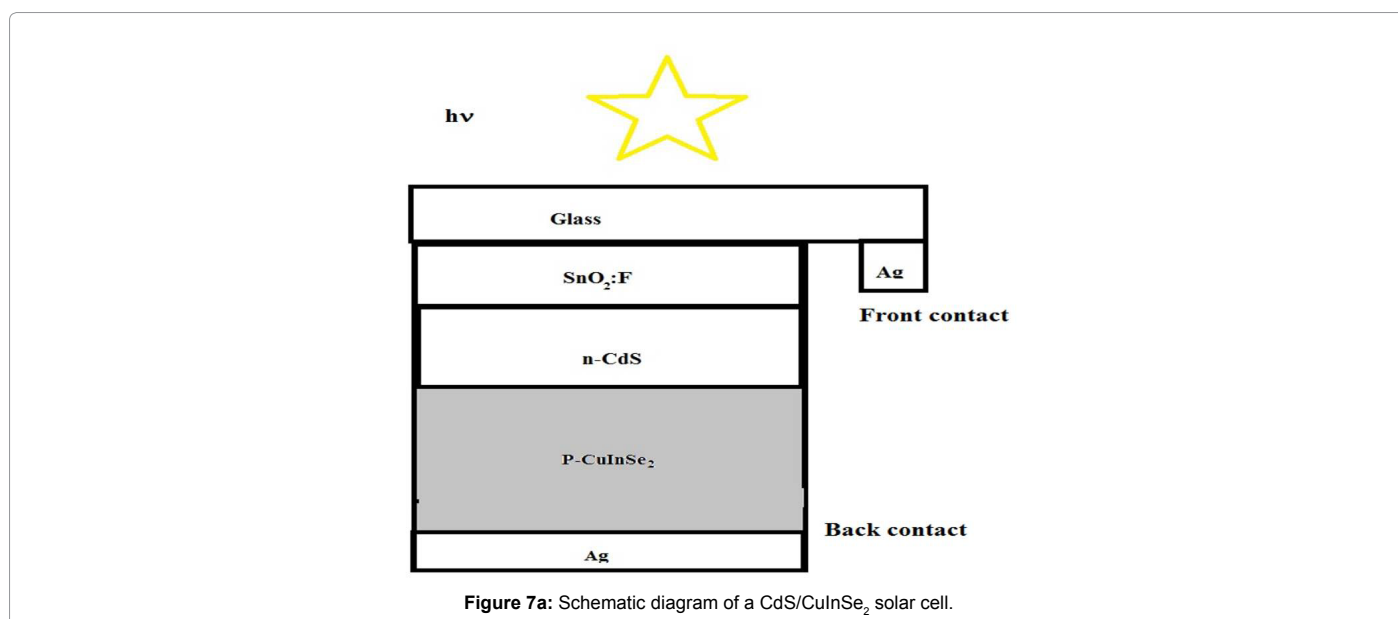
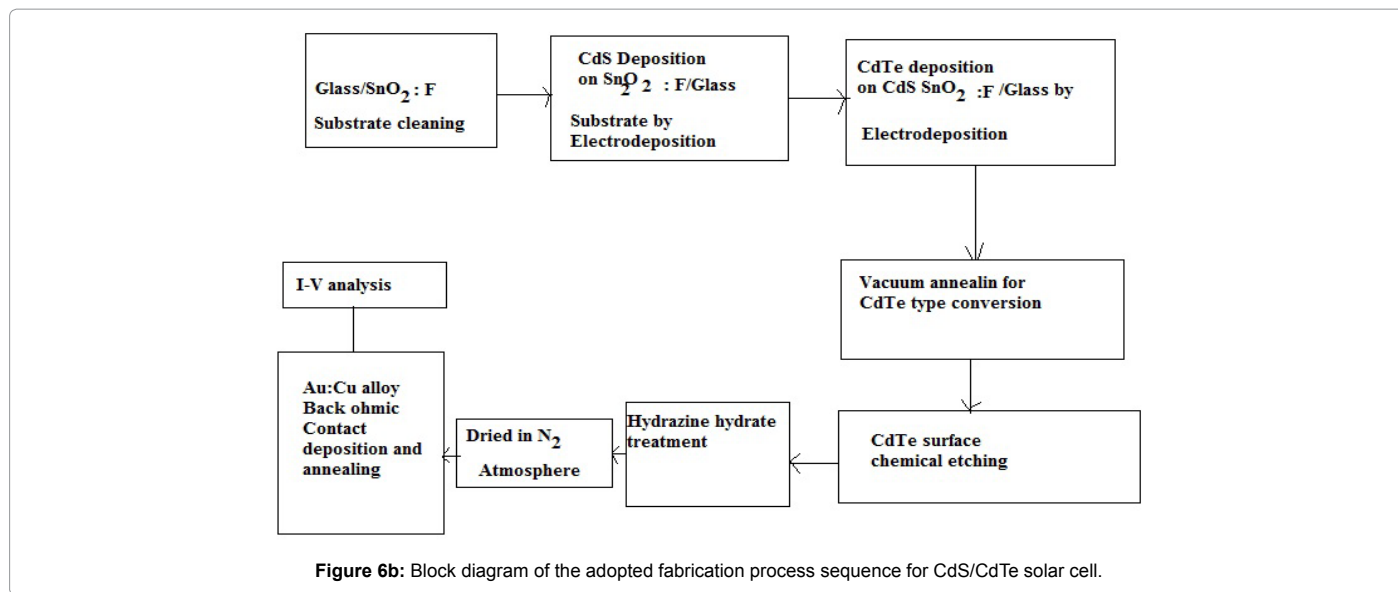


Figure 6a: Schematic diagram of a proposed CdTe solar cell structure.

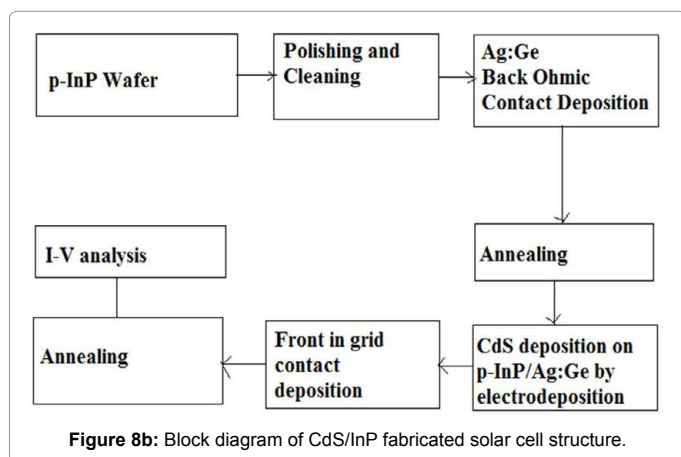
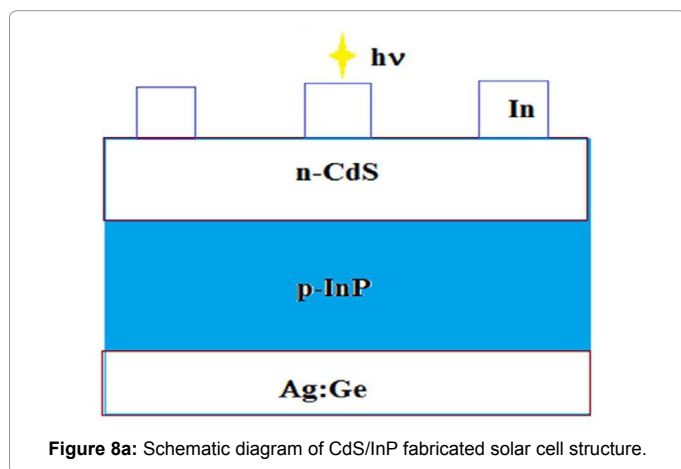
It has efficiency 27% under AMO illumination at 28°C, GaInP/GaInAs/Ge by Spectrolab (A Boeing Company) achieved 40.7%



CdS deposition on the front side. The optimized deposition condition using -600 mV as deposition potential was used to deposit CdS thin films on InP (111) substrates. After the deposition, top contact was realized by vacuum evaporated indium fingers. The fabricated cell structure was annealed at 550°C under hydrogen atmosphere for 5 minutes before studying the I-V characteristics of the cell structure under 100 mW/cm² illuminations. The fabrication process adopted for CdS/p-InP/Ag:Zn solar cell structure is shown in Figures 8a and 8b.

The CBD method produced non-uniformly distributed CuBiS₂ nanoparticles – more on the top and less at the bottom of the TiO₂ electrode. Consequently, the top surface of the electrode was overloaded, which blocked the flow of the liquid electrolyte, resulting in lower photovoltaic performance. This is probably an intrinsic disadvantage of the CBD method. The Voc (0.25–0.29 V) obtained here is only moderate. The theoretical upper limit of Voc=EF-E_{redox}, where EF is the quasi-Fermi level of TiO₂ and E_{redox} is the redox potential of the electrolyte. It should be possible to increase Voc by using an electrolyte with a lower redox potential (such as cobalt electrolyte).

The deposition of CdSe, ZnSe and Telluride thin films were made using different deposition methods such as, thermal evaporation, pulsed laser deposition (PLD), electrodeposition, spray pyrolysis, successive ionic layer adsorption and reaction (SILAR) and chemical bath deposition (CBD). Among these methods, EBE is one of the most promising methods for making high quality thin films for photovoltaic applications because it is an efficient and reasonably cost effective method.



Zinc selenide (ZnSe) has attracted much attention of research and development due to its suitability as a material for the fabrication of blue green lasers. It is seen that the optoelectronic and other properties of ZnSe thin films are structure sensitive which will severely influence the device performance. The lattice constant of ZnSe is 0.5668 nm and GaAs is 0.5653 nm. Though their lattice constants are nearly the same, ZnSe is very soft and facilitates the introduction of defects easily with in the film. It is well known that for II-VI compounds wurtzite phase is the stable form of crystal structure and the zinc blende structure is metastable [22].

The gradients of zinc phthalocyanine/C60 were prepared by co-evaporation of the two materials from two sources to make a linear array of photodiode devices. ZnPc has a strong absorption in the mid- visible range, and photoinduced charge transfer between ZnPc and C60. It is also well as the substrate temperature, can significantly change the photovoltaic properties of the devices. ZnPc in C60 is easily done by co-evaporation of both molecules onto a surface from two separate sources at a distance; a gradient will be formed along the space extending in between the two evaporation sources. These structures are then used for evaluation of solar cell performance [23].

Polymer solar cells are becoming increasingly attractive because they show many potential advantages over traditional silicon-based solar cells. As an energy conservation device, efficiency is a very important parameter. Inorder to increase the PCE (Power Conversion Efficiency) of devices, some aspects should be taken into account, such as the absorption coefficients of the materials, the exciton dissociation rate, and the charge-carrier mobilities. Polymers with bandgaps above 2 eV only absorb radiation in the ultraviolet (UV) and green part of the visible range. [24].

Conjugated polymers blended with soluble fullerene derivatives show a great potential for low cost, large area photovoltaics. One of the most promising devices following this approach are based on poly [2,6-(4,4-bis-(2-ethylhexyl)-4H-cyclopenta[2,1-b;3,4-b0] dithiophene)-alt-4,7-(2,1,3-benzothiadiazole)] (PCPDTBT), reaching power conversion efficiencies of up to 3.2% when combined with [6,6]-phenyl-C71-butyric acid methyl ester (PC70BM) [25].

Solar-energy generation, especially that of photovoltaics, has great potential as a renewable energy source because of its limitless and non-polluting properties. Recently, several research groups have reported that BHJ solar cells based on a composite film using poly(3-hexylthiophene) (P3HT) as an electron donor and [6,6]-phenyl-C61-butyric acid methyl ester (PCBM) as an electron acceptor show a power-conversion efficiency near 5%, which is the best reported performance for solution-processed polymer solar cells [26]. In general, the performance of BHJ solar cells can be maximized by controlling the morphology of the active layer, because efficient photoinduced charge generation, transport, and collection at each electrode crucially depend on the nanometer-scale morphology of the composite films [27,28].

Polymer electrolytes have reasonable ionic conductivities and eliminate the problems of sealing and solvent leakage. Dye-sensitized solar cells based on nanocrystalline TiO₂ electrodes are currently attracting widespread attention as a low cost alternative to conventional inorganic photovoltaic devices. Efficient light absorption for a monolayer of adsorbed sensitizer dye is achieved by the use of a mesoporous TiO₂ film structure [29,30] shown in Table 1.

Samples	FF	PCE (%)	Reference
PTB7	42	2.46 (2.34)	[26]
PTB7-DCB	47	4.22 (3.92)	
PTB7-Th	37	4.11 (3.91)	
PTB7-Th-DCB	49	6.07 (5.60)	

Table 1: The FF, Efficiency of Polymer materials.

Conclusion

While the increasing demand for energy creates a boom of PV industry in global market, its widespread use is still hindered by its high costs. A critical requirement is the accessibility of an easily scalable deposition processes for the active layers in order to reduce process complexity and cost of solar. Two stage process has been optimized for producing single phase p-type CuInSe_2 , $\text{CuIn}(\text{Se}_{1-x}\text{S}_x)_2$ and n-type In_2Se_3 thin films. The material quality of the absorber films is critically related to the chalcogenisation parameters and the metallic precursor formation steps. This review quantifies the influence of the above referred parameters on the material quality of the semiconductor thin films.

References

1. Wöhrle D, Meissner D (1991) "Organic solar cells." *Advanced Materials* 3: 129-138.
2. Wojciechowski K, Saliba M, Leijtens T, Abate A, Snaith HJ (2014) Sub-150°C Processed meso-superstructured perovskite solar cells with enhanced efficiency. *Energy Environ Sci* 7: 1142-1147.
3. Chuang PY, Chuang CN, Yu CC, Wang LY, Hsieh KH (2016) Enhance the stability and efficiency of perovskite solar cell via geltype Polyurethane. *Polymer* 97: 196-204.
4. Peng Z, Adam, Xiaogang Peng (2001) "Formation of high-quality CdTe, CdSe, and CdS nanocrystals using CdO as precursor." *Journal of the American Chemical Society* 123: 183-184.
5. Patel KD, Jani MS, Parthak VM, Srivastava R (2009) Deposition of CdSe thin films by thermal evaporation and their structural and optical properties. *Chalcogenides Letters* 6: 279-286.
6. Brien O, McAleese J (1998) "Developing an understanding of the processes controlling the chemical bath deposition of ZnS and CdS." *J Mater Chem* 8: 2309-2314.
7. Perna G, Capozzi V, Minafra A, Pallara M, Ambrico M (2003) "Effects of the indium doping on structural and optical properties of CdSe thin films deposited by laser ablation technique." *The European Physical Journal B-Condensed Matter and Complex Systems* 32: 339-344.
8. Sang H, HyeokáPark J (2010) "CdS or CdSe decorated TiO_2 nanotube arrays from spray pyrolysis deposition: use in photoelectrochemical cells." *Chemical communications* 46: 2385-2387.
9. Kathalingam A, Kim MR, Chae YS, Rhee JK, Thanikaikarasan, et al. (2010) Study on electrodeposited $\text{CdSe}_x\text{Te}_{1-x}$ semiconducting thin films. *J Alloys Compd* 505: 758-761.
10. Luo J, Wei H, Huang Q, Zhao H, Yu R, et al. (2013) Highly efficient core-shell CuInS_2 -Mn doped CdS quantum dot sensitized solar cells, *Chem. Commun* 49: 3881.
11. Luo J, Wei H, Huang Q, Zhao H, Yu R, et al. (2014) Microwave assisted aqueous synthesis of core-shell $\text{CdSe}_x\text{Te}_{1-x}$ -CdS quantum dots for high performance sensitized solar cells. *Chem. Commun* 50: 3464.
12. David C, Kahn A (2003) "Electron energetics at surfaces and interfaces: concepts and experiments." *Advanced Materials* 15: 271-277.
13. Lee HJ, Yum JH, Leventis HC, Zakeeruddin SM, Haque SA, et al. (2008) CdSe quantum dot-sensitized solar cells exceeding efficiency 1% at full-sun intensity. *The Journal of Physical Chemistry C* 112: 11600-11608.
14. Jean D, Graetzel M, Kavan L, Moser J, Augustynski J (1985) "Highly efficient sensitization of titanium dioxide." *Journal of the American Chemical Society* 107: 2988-2990.

15. Gruber DP, Meinhardt G, Papousek W (2005) Modelling the light absorption in organic photovoltaic devices. *solar energy materials and solar cells* 87: 215-223.
16. Sterbacka R, An CP, Jiang XM, Vardeny ZV (2000) Two-dimensional electronic excitations in self-assembled conjugated polymer nanocrystals. *Science* 287: 839-842.
17. Hwang IW, Moses D, Heeger AJ (2008) Photoinduced carrier generation in P3HT/PCBM bulk heterojunction materials. *J Phys Chem C* 112: 4350-4354.
18. Offermans T, Meskers SCJ, Janssen RAJ (2003) Charge recombination in a poly (paraphenylene vinylene)-fullerene derivative composite film studied by transient, nonresonant, hole-burning spectroscopy. *J Chem Phys* 119: 10924-10929.
19. Offermans H, van Hal A, Meskers SCJ, Koetse MM, Janssen RAJ (2005) Exciplex dynamics in a blend of pi-conjugated polymers with electron donating and accepting properties: (MDMO-PPV) and (PCNEPV). *Phys. Rev. B* 72: 045213.
20. De S, Pascher T, Maiti M, Jespersen KG, Kesti T, et al. (2007) Geminate charge recombination in alternating polyfluorene Copolymer/Fullerene blends. *J Am Chem Soc* 129: 8466-8472.
21. Marsh RA, Groves C, Greenham NC (2007) A microscopic model for the behavior of nanostructured organic photovoltaic devices. *J Appl Phys* 101: 083509.
22. Desmica-Frankovic D, Dubeek P, Buljan M, Furrir K, Desnica UV, et al. (2005) *Nucl. Instr. Meth. Phys. Res. B* 238: 302.
23. Godovsky D, Chen L, Pettersson L, Ingana ÈO, Andersson MR, et al. (2000) *Advanced Materials for optics and electronics. Adv Mater Opt Electron* 10: 47-54.
24. Fengling Z, Perzon E, Wang X, Mammo W, Andersson MR, et al. (2005) "Polymer solar cells based on a low-bandgap fluorene copolymer and a fullerene derivative with photocurrent extended to 850 nm." *Advanced Functional Materials* 15: 745-750.
25. Martijn L, Morana M, Brabec JC, WM Blom (2009) "Recombination-Limited Photocurrents in Low Bandgap Polymer/Fullerene Solar Cells." *Advanced Functional Materials* 19: 1106-1111.
26. Jang J, Seok-In N, Seok-Soon K, Tae-Woo L, Chung L, et al. (2009) "Three-Dimensional Bulk Heterojunction Morphology for Achieving High Internal Quantum Efficiency in Polymer Solar Cells." *Advanced Functional Materials* 19: 2398-2406.
27. Yuan M, Lin Y (2006) Model selection and estimation in regression with grouped variables. *Journal of the Royal Statistical Society: Series B (Statistical Methodology)* 68: 49-67.
28. Nogueira AF, Durrant JR, De Paoli MA (2001) Dye-sensitized nanocrystalline solar cells employing a polymer electrolyte. *Advanced Materials* 13: 826-826.
29. Jo JW, Kim Y, Ko MJ, Son HJ (2016) Development of intrinsically fullerene-compatible polymers: Strategy for developing high performance organic solar cells using a nonhalogenated solvent. *Dyes and Pigments* 132: 103-109.
30. Wang W, Zeng FL, Wang X, Tan MY (1996) A study of an oxovanadium (V) complex with a tridentate Schiff base ligand. *Polyhedron* 15: 1699-1703.