

Process Identification with Autoregressive Linear Regression Method using Experimental Data: Review

Naregalkar Akshaykumar* and D. Subbulekshmi

School of Electrical and Electronics Engineering, VIT University, Chennai - 600127, Tamil Nadu, India; naregalkarshayrangnath2014@vit.ac.in/akshay_n@vnrvjiet.in, subbulekshmi.d@vit.ac.in

Abstract

Objective: To obtain mathematical model and parameters of poorly understood and imprecisely known plant/process.

Methods: One solution to this problem is to obtain these using identification techniques. Process identification is a technique where a mathematical model of the process under study is build from process input-output data. Several autoregressive models are used to estimate the present value of the model using its past values of the process. Initially, the data set is generated for the given system and the auto regressive model is fitted to it, for the estimation of the model parameters. Residual error for a system is calculated using auto regression model parameters. **Findings:** A mathematical model for plant under study can be formulated with different system identification using Linear Regression methods like Auto Regressive eXogenous variable (ARX), Auto Regressive Moving Average with an eXogenous variable (ARMAX), Output Error (OE) and Box-Jenkins (BJ). For high model order ARX model is preferred and takes low computations but only suitable for white noise. The ARMAX model considers disturbance affecting process and provides higher performance index i.e. fitness which reveals percentage variation in output estimated by respective model. The Output-Error (OE) model estimates process model but cannot model disturbance features. The residual analysis of Box-Jenkins model shows that the prediction error is not auto-correlated, correlated and is uncorrelated with the input applied to process, thus showing Box-Jenkins model ability to capture noise dynamics of process. **Applications/Improvements:** The process model can be identified for the unknown, poorly known or partially known system and formulated model can be used in model Predictive controller design and Adaptive control techniques.

Keywords: ARX, ARMAX, BJ, Parametric, Plant Modelling, System Identification OE

1. Introduction

The dynamic process or plant modelling becomes difficult for Partial or completely unknown process, process order, etc. as present output depends on the instantaneous values of its input and previous process output. A dynamical system model can be found mathematically by relating output, input and noise/disturbance signals of a plant. Process or plant identification is the process of constructing a model of dynamic system and estimates the process parameters from the given input and output data. Regression is used to predict output of the system. An autoregressive model is a stochastic model which uses the

present and past values of the process to predict model present values. Autoregressive steps involves proper model selection based on criterion, estimation of model parameters, checking model fitness, model order selection, simulation and model validation. If the results are unsatisfactory and not within constraints, then revise the parameters and iterate through the process¹⁻³.

1.1 Autoregressive Linear Regression Method

The developed models using Autoregressive Linear Regression Method ARMAX were good representatives of

*Author for correspondence

the process with the lower mean of squared error value and the higher % fit value than the developed ARX model¹. A MIMO adaptive dual MPC also can be developed using ARMAX models that can estimate parameters on line². A black box mathematical ARX and ARMAX models is developed for thermoelectric refrigerator systems by Recursive Least Square (RLS) method to predict parameters³. A state space ARX model can be developed in Model Predictive Controller for a first order system with three different dead times that gives offset-free control for type sudden disturbances to the plant and to track set point⁴. Steady-state identification with ARX for nonlinear Continuous Stirred-Tank Reactor (CSTR) can be done with regression method. Out of the ARX, ARMAX and BJ models developed for steam generation plant using linear identification techniques, it is found that the fitness level of the ARMAX model data was the best as ARMAX model structure includes disturbance dynamics⁵. The Box-Jenkins (BJ) model describes disturbance properties in a process dynamics and showed that the ARX model may not be as good if disturbance dynamics are considered⁶. The performance of different models are performed equally well⁷. The predicted OE model has less % peak overshoot and lesser setting time than the ARX, ARMAX and BJ models⁸. For tracking the time variant parameters, several recursive estimation methods and their properties were demonstrated used along with forgetting factor by modifying basic algorithm⁹. A new approach to recursive identification for ARMAX systems was implemented that assumes independent and identically distributed input signals and also handles a wider class of input signals¹⁰. The advantage of the multi-time scale algorithm is verified with numerical examples. It was found that the accuracy of ARMAX model is better than that of ARX model as ARMAX model estimates characteristics of the colour noise can also be predicted with ARMAX model and the predicted model output almost matches actual output¹¹. An offset-free MPC based controller can be designed with ARX models¹². Accurate and matched PID response can be obtained with an ARX Model Predictive control model using for the pH Process in a CSTR¹³. A multi-time-scale scheme for different class of input signals that can be extended to MIMO systems¹⁴. Acceptable performance was achieved in an adaptive controller design for a pressure tank using nonparametric and parametric identification recursive least squares to obtain an ARMAX model of the system¹⁸. A predicted mathematical model of a complex system show slighter delay, less oscillations and faster response

than the model predicted with first principles method¹⁹. OE model gives the better closed loop response with less settling time and small peak overshoot²⁰. The parameters of a multi machine power system were accurately computed by using Recursive Least Square (RLS) technique and the identified linear model was validated as the response of identified linear model is very near to nonlinear model²¹.

2. Theoretical Analysis

A black box linear process model can be mathematically represented as shown in Equation (1).

$$[A(q-1).y(t)] = u(t) \cdot \left[\frac{B(q-1)}{F(q-1)} \right] + e(t) \cdot \left[\frac{C(q-1)}{D(q-1)} \right] \quad (1)$$

Where, $y(t)$, $u(t)$ and $e(t)$ are the pl output, process input and noise affecting the process. All A, B, C, D and F are polynomials. The parametric model structures differ by presence of few or all these polynomials. Thus, various model structures with flexibility of modelling the process dynamics and noise occurred in process^{9,15-17}.

3. (A) ARX Model

AR is Auto-regressive nature of the noise model and X is eXogenous input 'e'. The input-output relationship of an ARX model¹⁶ is given by a linear differential equation as Equation (2).

$$\begin{aligned} Y(t) + a_1y(t-1) + \dots + a_ny(t-n_a) \\ = b_0u(t-d) + \dots + b_nbu(t-d-n_b) + e(t) \end{aligned} \quad (2)$$

The input-output ARAX model structure is as given by Equation (3).

$$A(q-1).y(t) = u(t). B(q-1) + e(t) \quad (3)$$

The Equation (4) gives the output of this model structure in which the dynamic noise model is $1/A$ and $[B(q-1)/A(q-1)]$ extracts the input-output model.

$$y(t) = u(t) \cdot \left[\frac{B(q^{-1})}{A(q^{-1})} \right] + e(t) \cdot \left[\frac{1}{A(q^{-1})} \right] \quad (4)$$

The ARX model as shown Figure 1 analytical form makes it the simplest and efficient estimation methods with unique solution, hence preferred for higher order models. The drawback of the ARX model therefore is preferable, especially when the model order is high. The

drawback of ARX model structure is its system dynamics which consists of that the disturbances.

3.1 (B) ARMAX Model

ARMAX model as shown Figure 2 provides more flexibility to model a noise using a moving average of white noise called C parameters and also the present and past values of the disturbances acting on the process¹⁶. Also this model considers load disturbances entering in a process as a error term.

The ARMAX model can be described by the Equation (5).

$$y(t) = u(t) \cdot \left[\frac{B(q^{-1})}{A(q^{-1})} \right] + e(t) \cdot \left[\frac{C(q^{-1})}{A(q^{-1})} \right] \quad (5)$$

3.2 (C) Output-Error (OE) Model

The OE model as shown Figure 3 gives description of the process dynamics separately without disturbance characteristics consideration¹⁶.

The output is give as Equation (6).

$$y(t) = u(t) \cdot \left[\frac{B(q^{-1})}{F(q^{-1})} \right] + e(t) \quad (6)$$

3.3 (D) Box-Jenkins Model

The Box-Jenkins (BJ) structure models disturbance properties separately from system dynamics¹⁶.

The output of this model which is as shown Figure 4 is given as Equation (7).

$$y(t) = u(t) \cdot \left[\frac{B(q^{-1})}{F(q^{-1})} \right] + e(t) \cdot \left[\frac{C(q^{-1})}{D(q^{-1})} \right] \quad (7)$$

4. Experimental Analysis of Different Model Estimation using Prediction Error Method and their Comparison

Following revisited example¹⁶ shows how ARX, ARMAX, OE and BJ models are used for parameter estimation and

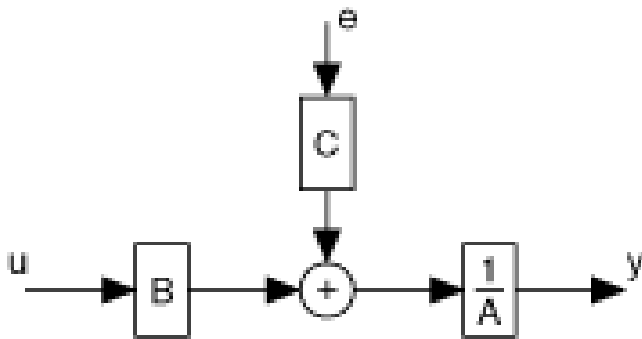


Figure 1. Signal flow of an ARX model.

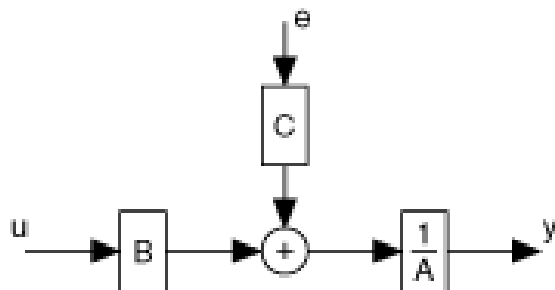


Figure 2. Signal flow of an ARMAX model.

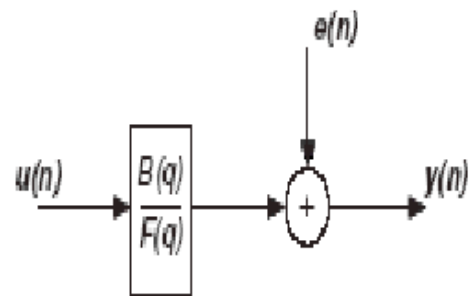


Figure 3. Signal flow of an OE model.

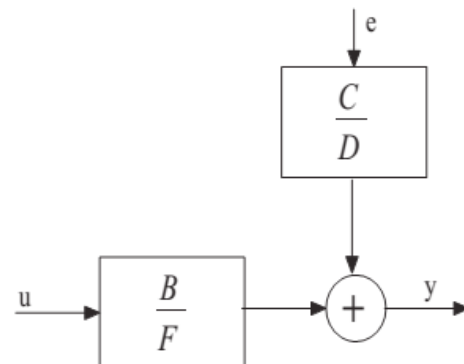


Figure 4. Signal flow of BJ model.

their performance analysis is compared with state space and transfer function models^{9,15-17}.

The estimated model details are as shown in Table 1 which includes Predicted Model, coefficients, polynomial order, FPE (Final Prediction Error), MSE (Mean Square Error) and fitness which reveals percentage variation in output estimated by respective model.

Table 1.

Estimated Model	PARAMETERS			
	Estimated Model, Coefficients and Polynomial Orders	Model Fit %	FPE	MSE
Transfer function	$\frac{(-0.05428 s^2 - 0.02386 s + 29.6)}{(s^2 + 1.361 s + 4.102)}$	71.69	1.279	1.195
State Space	A = [0.007167, 1.743, -2.181, -1.337] B = [-0.09388, -0.2408] C = [-47.34, 14.4] D = 0, K =[0.04108, 0.03751]	75.08	1.019	0.9262
ARX	A(z) = 1 - 1.32z ⁻¹ + 0.5393 z ⁻² B(z) = 0.9817 z ⁻¹ + 0.4049 z ⁻² ; na = 2, nb = 2, nk = 1	71.46	1.297	1.214
OE	B(z) = 0.8383z ⁻¹ + 0.7199 z ⁻² F(z) = 1 - 1.497 z ⁻¹ + 0.7099 z ⁻² nb=2, nf=2, nk=1	71.46	1.297	1.214
ARMAX	A(z) = 1 - 1.516 z ⁻¹ + 0.7145 z ⁻² B(z) = 0.982 z ⁻¹ + 0.5091 z ⁻² C(z) = 1 - 0.9762 z ⁻¹ + 0.218 z ⁻² na=2; nb=2; nc=2; nk=1	75.08	1.02	0.9264
Box Jenkins	B(z) = 0.992 z ⁻¹ + 0.470 z ⁻² C(z) = 1 - 0.628 z ⁻¹ - 0.122 z ⁻² D(z) = 1 - 1.22 z ⁻¹ + 0.379 z ⁻² F(z) = 1 - 1.52 z ⁻¹ + 0.724 z ⁻²	75.47	1.024	0.8974

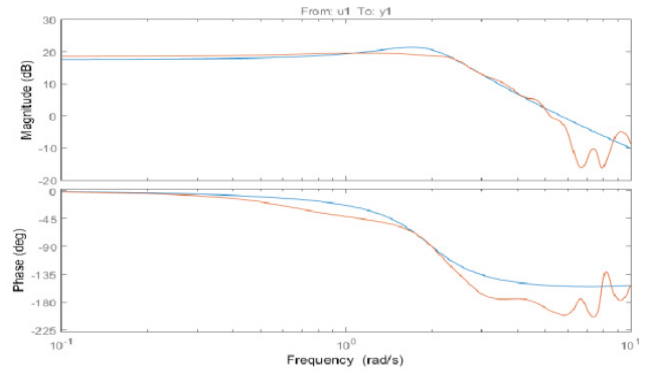


Figure 5. Frequency responses of state space model with original model.

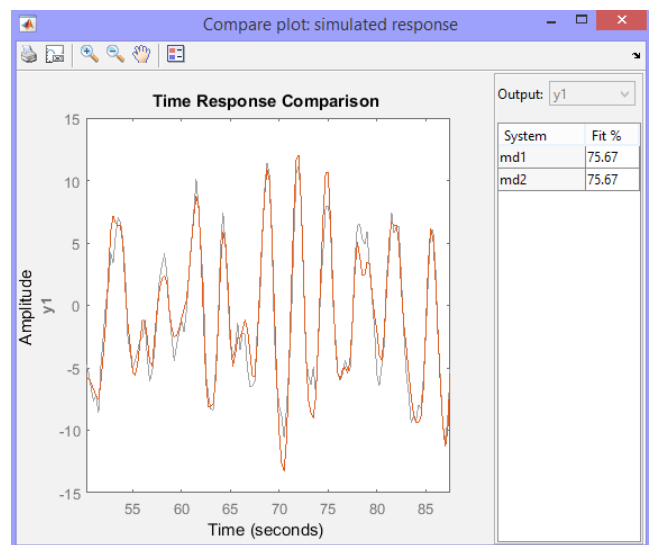


Figure 6. Response of estimated OE model.

As shown in Figure 5, the frequency response from state space model is very close to the transfer function model frequency response.

The response of OE model is as shown in Figure. 6. Quality of a model is to compute the residuals disturbance that could not be explained by the OE model. The residuals are calculated to find residuals disturbance with OE model and is as shown in Figure.7

From Figure 7, the cross correlation between residuals and input lies in the confidence region shows that that there is no significant correlation and gives adequate estimation index. But the correlation of noise is significant as it cannot be seen as a noise which indicates that the estimated noise model in inadequate. The predicted behaviour of estimated models is as shown in Figure 8.

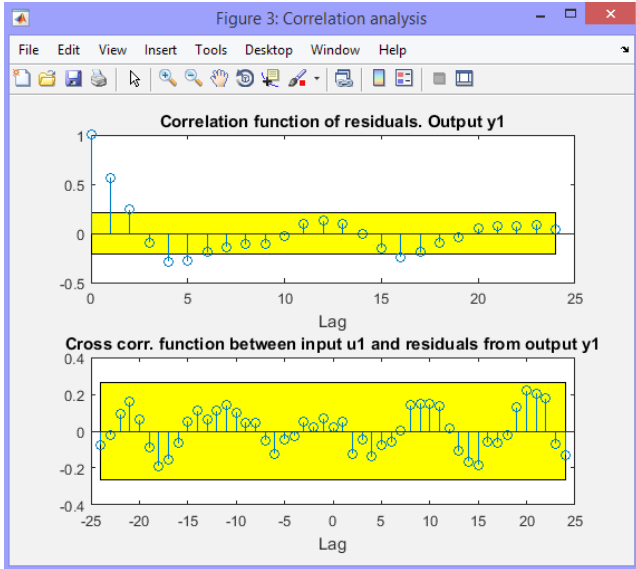


Figure 7. Residual analysis of estimated OE model.

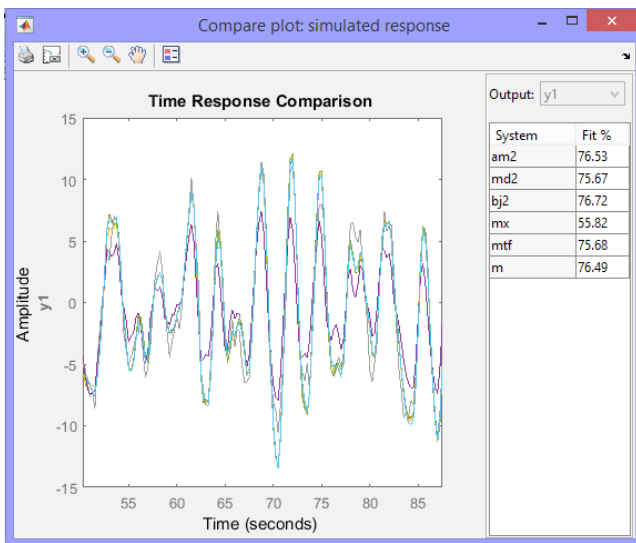


Figure 8. Comparison of estimated models.

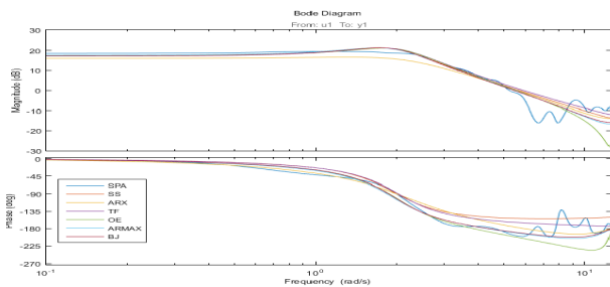


Figure 9. Comparison of frequency response of estimated models.

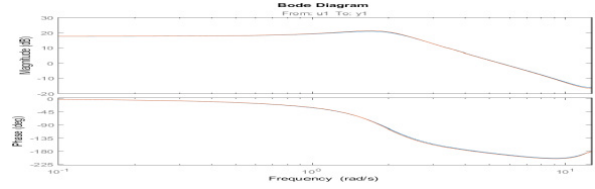


Figure 10. Comparison of frequency responses of estimated ARMAX model with actual system.

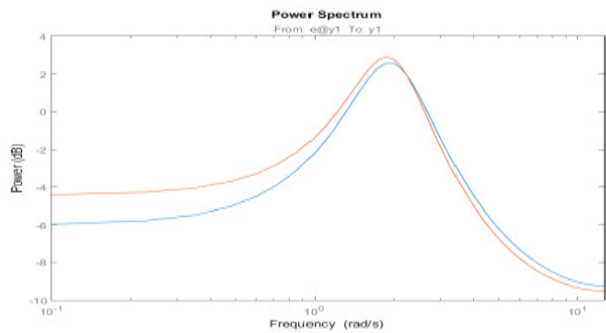


Figure 11. Noise spectrum of ARMAX and actual system.

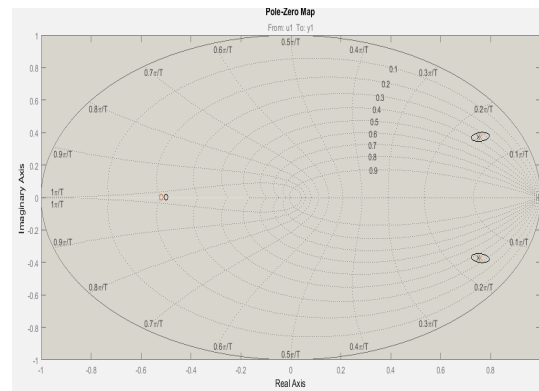


Figure 12. Pole zero plot of all estimated and actual model.

The residual analysis of Box-Jenkins model shows that the prediction error is not auto-correlated, correlated and is uncorrelated with the input applied to process. Thus showing Box-Jenkins model ability to capture noise dynamics of process with the C and D polynomials estimation. The frequency functions of all the estimated models are compared and are shown in Figure 9.

Comparison of frequency responses of estimated ARMAX model with actual system is done and is shown in Figure 10.

As shown in Figure 11, the noise spectra for ARMAX is compared with actual system. Figure 12 shows pole zero

plot for all the estimated models which shows that like actual system pole zeros, pole zeros of estimated models are well inside the unit circle/uncertainty region^{9,15-17}.

5. Conclusion

This paper focuses on review of four parametric models ARX, ARMAX, OE and BJ. After revisiting the example explained¹⁷, following features of above four models can be revised. For high model order ARX model is preferred and takes low computations but only suitable for white noise. The ARMAX model considers disturbance affecting process and provides higher performance index i.e. fitness which reveals percentage variation in output estimated by respective model. The Output-Error (OE) model estimates process model but cannot model disturbance features. The residual analysis of Box-Jenkins model shows that the prediction error is not auto-correlated, correlated and is uncorrelated with the input applied to process, thus showing Box-Jenkins model ability to capture noise dynamics of process with the C and D polynomials estimation.

The analysis done in this paper with the revisited examples and literature shows that the process identification is reliably possible from the process input, output and noise data to implement linear process model using ARX, ARMAX, BJ and OE models.

6. References

1. Giwa A, Giwa SO. ARX and ARMAX modelling of olefin metathesis reactive distillation process. *Advances in Applied Science Research*. 2015; 6(9):42–52.
2. Kumar K, Heirung TKN, Patwardhan SC, Foss B. Experimental evaluation of a MIMO adaptive dual MPC. *Science Direct 9th IFAC Symposium on Advanced Control of Chemical Processes ADCHEM*. 2015; 48(8):545–50.
3. Saifizi M, Ab Muin MZ, Yaacob S, Mohamad MS. Comparison of ARX and ARMAX model for thermoelectric refrigerator. *International Conference on Mechanical Engineering Research (ICMER2013)*; 2013 Jul. p. 1–9.
4. Olesen D, Huusom JK, Jorgensen JB. A tuning procedure for ARX-based MPC. *2013 IEEE Multi-Conference on Systems and Control*. 2013. p. 188–93.
5. Rincon FR, Le Roux GAC, Lima FV. A novel ARX-based approach for the steady-state identification analysis of industrial depropanizer column datasets. *Processes*. 2015. p. 257–85.
6. Mahmoud MS. Linear identification of a steam generation plant. *Proceedings of the World Congress on Engineering WCE 2011*; London, UK. 2011 Jul. p. 2457–65.
7. Afram A, Janabi-Sharifi F. Black-box modelling of residential HVAC system and comparison of gray-box and black-box modelling methods. *Science Direct Energy and Buildings*; 2015. p. 121–49.
8. Paul MM, Jose PSH. Identification and control of a cylindrical tank based on system identification models. *IJTARME*. 2013; 2(1):45–8. ISSN:2319–3182
9. Navratil P, Ivanka J. Recursive estimation algorithms in MATLAB and Simulink development environment. *WSEAS Transactions on Computers*. 2014; 13:691–702. E-ISSN: 2224-2872.
10. Huang L, Hjalmarsson H. A multi-time-scale generalization of recursive identification algorithm for ARMAX Systems. *IEEE Transactions on Automatic Control*. 2015 Aug; 60(8):2242–7.
11. Shujiao BI, Feng D. Modelling for liquid-level control system in beer fermentation process. *Proceedings of the 31st Chinese Control Conference*; Hefei, China. 2012 Jul. p. 1739–44.
12. Huusom JK, Jorgensen JB. A realistic process example for MIMO MPC based on autoregressive models. *The International Federation of Automatic Control*; Cape Town, South Africa. 2014 Aug. p. 3086–91.
13. Balaji V, Rajaji L. ARX-model based model predictive control of a pH process using LabVIEW. *IJITEE*. 2015 Feb; 4(9):13–6. ISSN: 2278-3075.
14. Chen HF. New approach to recursive identification for ARMAX systems. *IEEE Trans Autom Control*. 2010; 55:868–79.
15. MATLAB System Identification Tool Box (Mathworks).
16. Ljung L. *System identification: Theory for the user*. 2nd ed. Prentice Hall PT; 1999.
17. Kushner HJ, Yin G. *Stochastic approximation algorithms and applications*. 2nd ed. New York: Spring; 2003.
18. Jose DP. Design of an adaptive controller with online identification applied to a pressure tank. *International Journal of Applied Science and Technology*. 2014 Mar; 4(2):112–8.
19. Lahane JS, Khandekar MA. System identification and controller design for boiler and heat exchanger set-up. *International Journal of Advanced Research in Electrical,*

- Electronics and Instrumentation Engineering. 2014 Jul; 3(7):10708–14.
20. Otalora AS, Losada OM, Quijano JF. Identification of DC motor with parametric methods and Artificial Neural Networks. ARPN Journal of Engineering and Applied Sciences. 2012 Jul; 7(7):922–5.
21. Boroujeni SMS, Boroujeni BK, Abdollahi M. Multi machine power system identification by using recursive least square method. Indian Journal of Science and Technology. 2011 Dec; 4(12):1624–9.